



 **schmidt**  
a brand of aebi schmidt

# Tellefsdal VPL

Snow plough



The VPL is a wedge-shaped, V-shaped and one-sided snow plough ideal for efficient snow clearance on roads, footpaths, cycle paths and other surfaces. The VPL series can be used in all conditions, is suitable for both difficult and heavy snow removal and for mounting on a wide range of municipal vehicles, tractors and wheel loaders.

## Highlights

- **Available in different sizes:** 1.5 - 3.0m
- Individual adaptation and use as **wedge-shaped, V-shaped and one-sided snow ploughs**
- **Automatic traversing system** using shock absorber rails

## Your benefits

- **Comfortable operation**
- Attachment and removal **in just a few minutes**
- **Shock absorber** rail reduces noise and ensures smooth running
- **Suitable for** a wide range of **municipal vehicles, tractors and wheel loaders**

We know how important it is that your machines and equipment are always ready to deploy. **Get in touch with us** about our range of tailored services and original spare parts.





Using digital solutions to monitor, control and optimise your operations? Saving fuel and resources? With reduced CO<sub>2</sub> emissions and increased security? **Get in touch with us.** We'll make it work.

## Performance features

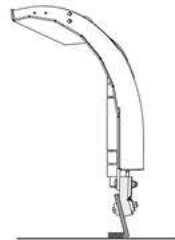
### Plough blade

The VPL consists of a right and a left ploughshare, connected in the middle with an A-frame by means of pivots, which forms a stable base for difficult and heavy snow clearance. The geometrically shaped and steeply inclined ploughshare ensures optimum snow ejection.



### Override security system

The VPL easily overcomes ground obstacles even under difficult operating conditions. This is due to the automatic override security system with shock absorber rails, which absorbs the high starting energy and ensures minimal noise and very smooth running.



### Hydraulics

All functions are hydraulic and can be operated from the cab. Two hydraulic cylinders operate each ploughshare and swivel it against a mechanical stop when fully engaged. In the standard version, the VPL is suitable for vehicle hydraulic systems with two control cells for snow plough operation. Pressure relief valves and accumulators in the hydraulic system protect and dampen the shares.

### Mounting

The VPL series is equipped with a mounting plate as standard. The optional lifting system with country-specific mounting plates enables adaptation to vehicles with both lifting systems or mounting plates and allows changeover within minutes. The VPL is suitable for mounting on both work vehicles and front loaders.

### Cutting edges

#### Steel cutting edge (S)

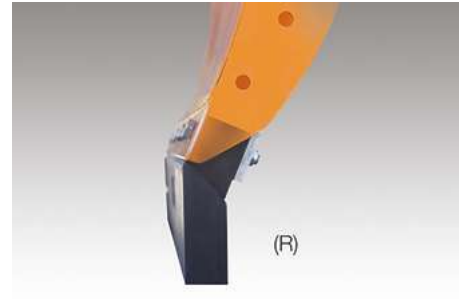
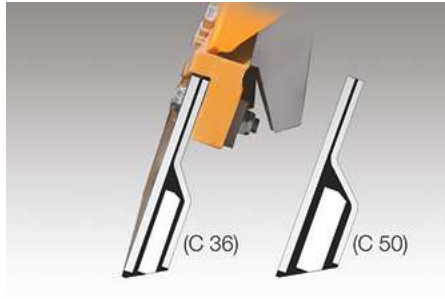
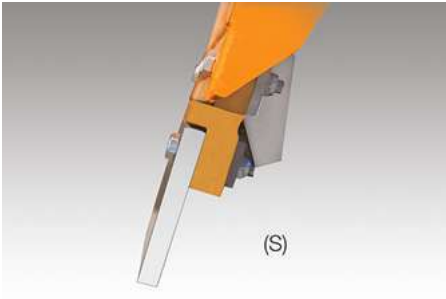
A multi-purpose, cost optimised solution for aggressive clearing of hard and/or compact snow. Steel cutting edges are resistant to bending and twisting, giving a clean result.

#### Combi cutting edge size 36 (C36 / C50)

A more durable cutting edge made of steel, rubber and ceramic. This cutting edge is meant for aggressive snow clearing and can be a good alternative if the steel cutting edge is wearing out too fast. The combination of materials ensures noise and vibration reduction.

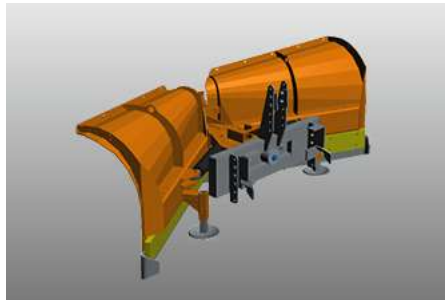
#### Rubber cutting edge (size 30 mm and 50 mm) (R)

Due to the flexible and elastic characteristics of rubber, it glides smoothly over the surface. A rubber cutting edge is especially efficient when clearing snow slush.



### Working support devices

The castor wheels ensure precise adjustment of the snow plough and provide appropriate aggressiveness during snow clearing. They support the frame when driving over obstacles and extend the service life of the cutting edge. Alternatively, maintenance-free height-adjustable sliding shoes can be fitted. They are made of highly wear-resistant steel or combi.



### Snow deflector

A rubber snow deflector prevents poor visibility due to snow swirling up to the windscreen of the vehicle. The rubber shield directs the air stream along with the snow dust to the side. Rubber protection is used mainly during slow clearing of wet and heavy snow. Thanks to its great flexibility, the splash guard is not easily damaged. It is simple and cost effective option.

### Options

The VPL can be equipped with a „**Super Swing**“ feature which allows the ploughshares to be swivelled diagonally to the right, left or only to one side. Further options including sliding shoes, trailing wheels and snow dust protection are also available.

## Gallery





## Related products

### KL-V

Snow plough



### Tellefsdal U-LS

Snow plough



### Tellefsdal U-H2

Snow plough





Trust in our many years of uniquely diverse experience. **Get in touch with us.** We'll find the right solution for your specific challenge.

## Technical data

	Tellefsdal VPL 15	Tellefsdal VPL 18	Tellefsdal VPL 21
<b>Dimensions</b>			
Plough height centre	690 mm	690 mm	690 mm
Plough height right and left	790 mm	790 mm	790 mm
Length at cutting edge	1,520 mm	1,780 mm	2,040 mm
Clearing width	1,360 mm at 31° 1,390 mm V-shaped 1,330 mm wedge-shaped	1,610 mm at 31° 1,640 mm V-shaped 1,580 mm wedge-shaped	1,870 mm at 31° 1,900 mm V-shaped 1,840 mm wedge-shaped

<b>Weights</b>			
Approx. weight with steel cutting edges	178 kg	206 kg	285 kg

	Tellefsdal VPL 24	Tellefsdal VPL 27	Tellefsdal VPL 30
<b>Dimensions</b>			
Plough height centre	690 mm	690 mm	690 mm
Plough height right and left	790 mm	790 mm	790 mm
Length at cutting edge	2,300 mm	2,560 mm	2,820 mm
Clearing width	2,130 mm at 31° 2,160 mm V-shaped 2,100 mm wedge-shaped	2,380 mm at 31° 2,420 mm V-shaped 2,350 mm wedge-shaped	2,640 mm at 31° 2,670 mm V-shaped 2,610 mm wedge-shaped

<b>Weights</b>			
Approx. weight with steel cutting edges	315 kg	340 kg	365 kg

 **aebi schmidt**  
group

Aebi Schmidt Holding AG  
Leutschenbachstrasse 52  
CH-8050 Zurich, Switzerland  
Phone: +41 44 308 58 00  
[www.aebi-schmidt.com](http://www.aebi-schmidt.com)

© Aebi Schmidt Group  
All rights reserved.  
Technical data is subject to change.  
Illustrations are not binding.  
Errors and amendments excepted.

Document created on 9 MAR 2025

