



 **nido**
a brand of aebi schmidt

SNK

Snow plough



A highly efficient snow plough that is especially effective in slush and wet snow, but it works well also in other conditions, e.g. powdered snow. The SNK comes in various sizes for mounting on carriers ranging from narrow-track vehicles, combis and pick-ups through to Unimogs and trucks. With its rotomoulded polymer blade, the SNK is a stable snow plough with a low dead weight. The co-ordinated geometry of the blade, cutting edge and angle of attack ensure optimum snow removal, regardless of the consistency and quantity of snow cleared.

Highlights

- Non-corrosive, **low-maintenance polymer blade** with integral deflector.
- Optimum attachment options. With **various attachment systems and a lightweight design**, this model can be attached to a range of carriers, including relatively light vehicles.
- The innovative TwinEdge plough blade for even **wider application options**.

Your benefits

- **Clean snow clearance:** excellent results in slush and wet snow clearing.
- **Low noise emission:** the SNK works quietly and offers trouble-free operation in residential and urban areas.
- **Easy manoeuvring:** the compact design and lightweight construction allows for mounting on smaller, lighter vehicles.

We know how important it is that your machines and equipment are always ready to deploy. **Get in touch with us** about our range of tailored services and original spare parts.



Performance features

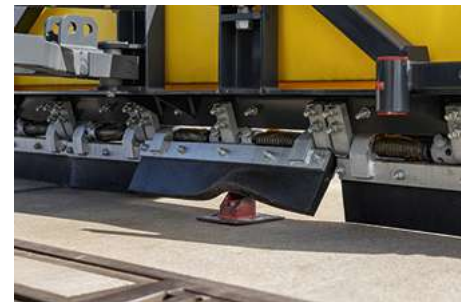
Plough blade

The blade has a box design with connecting slots, making it both robust and flexible. The compact, self-supporting blade is cushioned against vibration in a diagonally-braced steel frame. This makes it a lightweight but stable snow plough. The self-contained blade form, which was specifically developed for wet snow clearance, eliminates the need for an additional snow deflector.



Override security system

Sizes up to the SNK 24 use a telescopic arm and retaining spring to help prevent damage when encountering obstacles. Sizes of the SNK 27 and above have spring-loaded segments with torsion springs. Depending on the particular cutting edges there are two override security systems: the spring-loaded segments with torsion springs and the shock absorber rails. The height-adjustable castor wheels prevent the plough from digging into the snow.



Cutting edges

Steel cutting edge (S)

A multi-purpose, cost optimised solution for aggressive clearing of hard and/or compact snow. Steel cutting edges are resistant to bending and twisting, giving a clean result.

Combi cutting edge size 36 (C36 / C50)

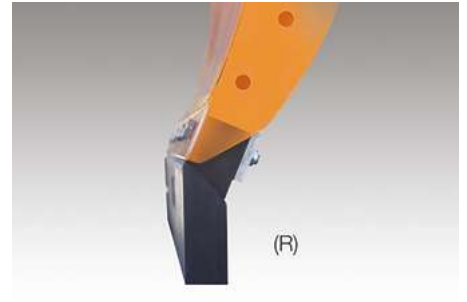
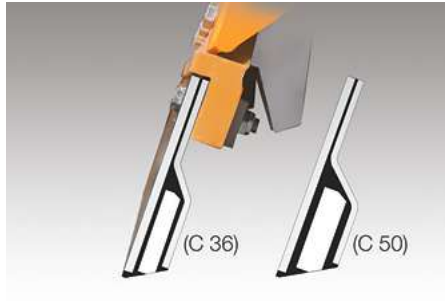
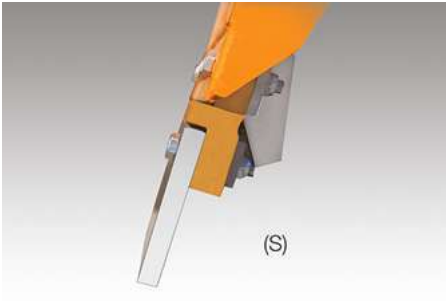
A more durable cutting edge made of steel, rubber and ceramic. This cutting edge is meant for aggressive snow clearing and can be a good alternative if the steel cutting edge is wearing out too fast. The combination of materials ensures noise and vibration reduction.

Rubber cutting edge (size 30 mm and 50 mm) (R)

Due to the flexible and elastic characteristics of rubber, it glides smoothly over the surface. A rubber cutting edge is especially efficient when clearing snow slush.

GK 7 cutting edge (GK 7)

A GK cutting edge allows for more efficient snow slush clearing with longer service life and less friction. This cutting edge is made of steel, rubber and corundum and is therefore more aggressive than a rubber cutting edge.



SNK with TwinEdge

The innovative TwinEdge blade is available on special service request for SNK ploughs 27.2-34.2 and features a combination of rubber or GK7 cutting edge with a steel cutting edge. The steel cutting edge can be hydraulically lowered, making it easier to clear hard-packed snow and is cushioned against impacts and vibration by a polyurethane stop and polyurethane bushings.



Lifting device

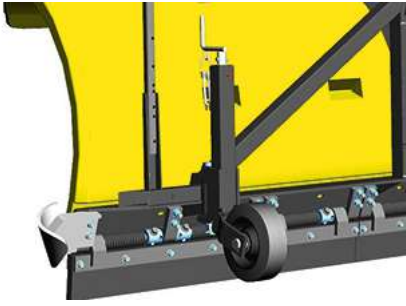
The SNK can be mounted either on vehicles with their own lift, or on vehicles with an SNK mounting system with the plough's own hitch or DIN mounting plate. All functions including lifting, lowering and swivelling are carried out hydraulically. The vehicle's hydraulics or, as an option, a compact electro-hydraulic system on the mounting plate can be used. The operation of this system merely requires a power supply point at the vehicle. This model is conveniently controlled using an EP or ES control panel in the cab.



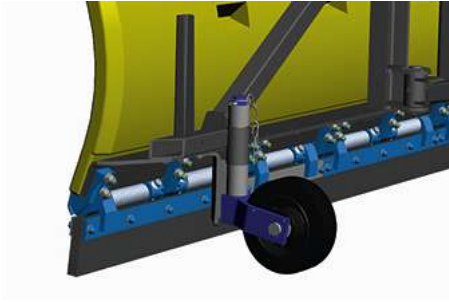
Working support devices

Castor wheels extend the service life of the cutting edges and allow obstacles to be driven over more smoothly. We offer the following castor wheels for the SNK ploughs:

1. Castor wheels SNK with adjusting handle.



2. Castor wheels SNK with adjusting washers.



Mounting

The SNK snow plough series can be mounted on vehicles with their own lifting system, using appropriate adaptors. Alternatively, they can be mounted on vehicles with the SNK mounting system by means of their own lifting device or DIN plate. A very short attachment is also possible with the special implement plate for tractors.



Options

- LED Lighting mounted directly on a plough share or on the holders
- LED Additional headlight, Additional headlight with indicator
- Lumifog
- Marking rods
- Parking trolley with wheels

Gallery



Related products

MPC

Snow plough



FLL

Snow plough



CP

Snow plough





Trust in our many years of uniquely diverse experience. **Get in touch with us.** We'll find the right solution for your specific challenge.

Technical data

	SNK 18.2	SNK 21.2	SNK 24.2
Construction			
Number of spring loaded segments	6	7	8
Dimensions			
Plough height	800 mm	800 mm	800 mm
Length at cutting edge	1,800 mm	2,120 mm	2,420 mm
Clearing width	1,550 mm at 30°	1,800 mm at 30°	2,100 mm at 30°
Weights			
Approx. weight with rubber cutting edges	150 kg	175 kg	195 kg
	SNK 27.2	SNK 30.2	SNK 34.2
Construction			
Number of spring loaded segments	4	4	5
Dimensions			
Plough height	1,180 mm	1,180 mm	1,180 mm
Length at cutting edge	2,700 mm	3,000 mm	3,400 mm
Clearing width	2,310 mm at 30°	2,550 mm at 30°	2,940 mm at 30°
Weights			
Approx. weight with rubber cutting edges	445 kg	480 kg	545 kg



© Aebi Schmidt Group
www.aebi-schmidt.com

Aebi Schmidt Holding AG
CH-8050 Zurich, Switzerland

All rights reserved. Technical data is subject to change.
Illustrations are not binding. Errors and amendments excepted.

Document created on 20 APR 2024

