



schmidt
a brand of aebi schmidt

VPL

Snow plough



The VPL is a wedge-shaped, V-shaped and one-sided snow plough ideal for efficient snow clearance on roads, footpaths, cycle paths and other surfaces. The VPL series can be used in all conditions, is suitable for both difficult and heavy snow removal and for mounting on a wide range of municipal vehicles, tractors and wheel loaders.

Highlights

- **Available in different sizes:** 1.5 - 3.0m
- Individual adaptation and use as **wedge-shaped, V-shaped and one-sided snow ploughs**
- **Automatic traversing system** using shock absorber rails

Your benefits

- **Comfortable operation**
- Attachment and removal **in just a few minutes**
- **Shock absorber** rail reduces noise and ensures smooth running
- **Suitable for** a wide range of **municipal vehicles, tractors and wheel loaders**

Performance features

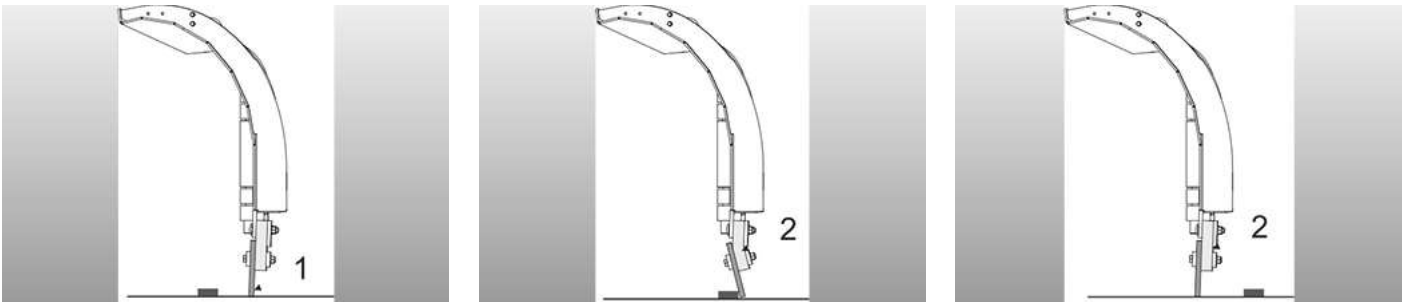
Plough blade

The VPL consists of a right and a left ploughshare, connected in the middle with an A-frame by means of pivots, which forms a stable base for difficult and heavy snow clearance. The geometrically shaped and steeply inclined ploughshare ensures optimum snow ejection, while a wide range of cutting edges allows the plough to be used in all types of conditions.



Override security system

The VPL easily overcomes ground obstacles even under difficult operating conditions. This is due to the automatic override security system with shock absorber rails, which absorbs the high starting energy and ensures minimal noise and very smooth running.



Lifting device

An optional **lifting system** allows easy adaptation to vehicles with either a lifting system or mounting plates.

Hydraulics

All functions are hydraulic and can be operated from the cab.

Two hydraulic cylinders operate each ploughshare and swivel it against a mechanical stop when fully engaged. In the standard version, the VPL is suitable for vehicle hydraulic systems with two control cells for snow plough operation. Pressure relief valves and accumulators in the hydraulic system protect and dampen the shares.

Mounting

The VPL series is equipped with a **mounting plate** as standard. The optional lifting system with country-specific mounting plates enables adaptation to vehicles with both lifting systems or mounting plates and allows changeover within minutes. The VPL is suitable for mounting on both work vehicles and front loaders.

Options

The VPL can be equipped with a „**Super Swing**“ feature which allows the ploughshares to be swivelled diagonally to the right, left or only to one side.

Further options including sliding shoes, trailing wheels and snow dust protection are also available.

Gallery



Related product

KL-V

Snow plough



U-LS

Snow plough



Keywords

#Counties, Cities & Municipalities #Contractors #Industry, Construction & Facility Management #Clearing Snow #In-
necity Roads #Sidewalks & Cycleways #Parking Facilities & Underground Car Parks #Industrial & Port Areas #Sports
& Leisure Areas #Airport Landside

Technical data

	Tellefsdal VPL 15	Tellefsdal VPL 18	Tellefsdal VPL 21
Dimensions			
Plough height centre	690 mm	690 mm	690 mm
Plough height right and left	790 mm	790 mm	790 mm
Length at cutting edge	1,520 mm	1,780 mm	2,040 mm
Clearing width at 31°	1,360 mm	1,610 mm	1,870 mm
Clearing width V-shaped blade	1,390 mm	1,640 mm	1,900 mm
Clearing width wedge-shaped blade	1,330 mm	1,580 mm	1,840 mm

Weights			
Approx. weight with steel cutting edges	178 kg	206 kg	285 kg

	Tellefsdal VPL 24	Tellefsdal VPL 27	Tellefsdal VPL 30
Dimensions			
Plough height centre	690 mm	690 mm	690 mm
Plough height right and left	790 mm	790 mm	790 mm
Length at cutting edge	2,300 mm	2,560 mm	2,820 mm
Clearing width at 31°	2,130 mm	2,380 mm	2,640 mm
Clearing width V-shaped blade	2,160 mm	2,420 mm	2,670 mm
Clearing width wedge-shaped blade	2,100 mm	2,350 mm	2,610 mm

Weights			
Approx. weight with steel cutting edges	315 kg	340 kg	365 kg



www.aebi-schmidt.com
 © Aebi Schmidt Group
 Aebi Schmidt Holding AG
 CH-8050 Zurich

All rights reserved. Technical data is subject to change. Illustrations are not binding. Errors and amendments excepted.

Document created on 26 Feb 2021

